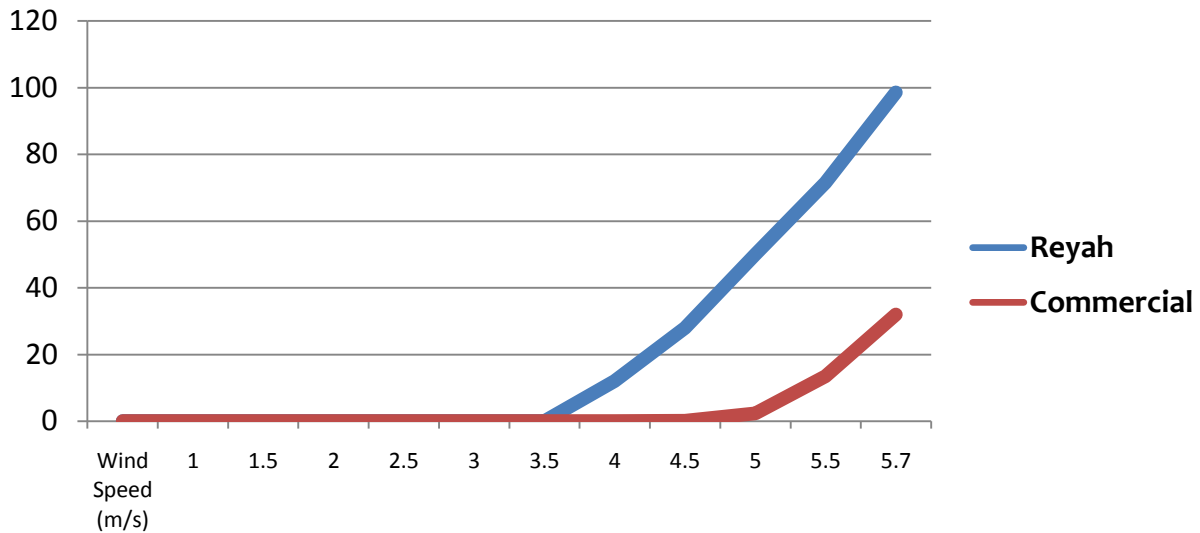


Reyah -380

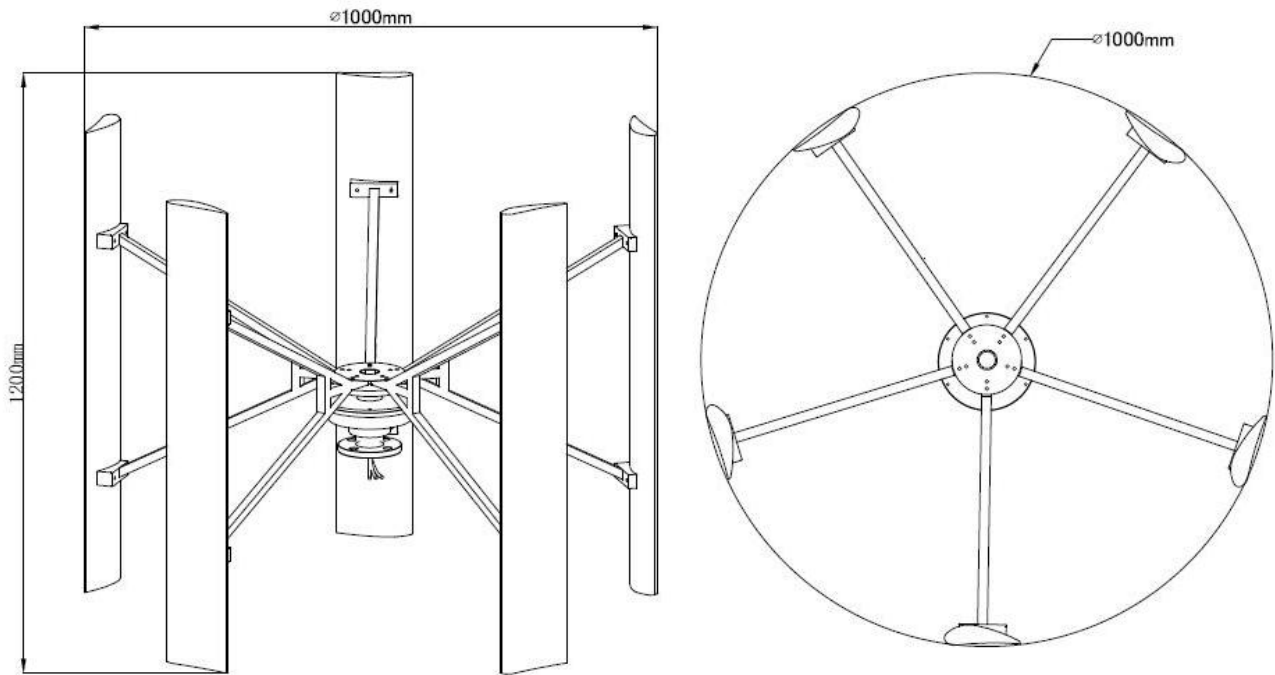


Advanced version of the patented Reyah Wind Turbine



Reyah works efficiently at low wind speeds, where others don't

Technical Specifications



Rotor Type	Vertical
Rated Power	380W
Rated Wind Speed	12m/s
Swept Area	1.2 m ²
Blade height	1.2m
Rotor Diameter	1.0 m
Weight	35 kg
Startup Wind Speed	2m/s
Turbine Controller	Microprocessor-based smart internal regulator
Body	Galvanized steel & Cast aluminum with corrosion resistant paint
Rated rotational speed	280 rpm
Survival Wind Speed	125 km/h (35 m/s)
Generator Output Voltage	12V/24VDC



Standard Backage includes:

1. Charge Controller with built-in speed controller
2. Five (5) Blades
3. Five (5) Struts
4. One (1) PMG Reyah Generator
5. Set of stainless steel screws, washer and bolts

Note: Tower mast is not included